

## Ex d(e), Weatherproof



### Features

- Ex d / Ex de IIC / IIIC T4/T5/T6.
- ATEX certified.
- IECEx certified.
- Certified temperature -55°C to +70°C.\*
- IP66 & IP67.
- Optional Ex e terminal chamber.
- 127dB at 25W, 1m.\*
- 8W, 15W & 25W versions.
- Power tapings, via integral transformer.
- Frequency response 350Hz - 8kHz.
- Ex enclosure - Glass reinforced polyester.
- Flare - High impact thermoplastic polyester.
- Stainless steel mounting bracket and cover screws.
- Mounting bracket has ratchet facility as standard.
- Optional swivel bracket available.

\*Depending on version.

### Introduction

The DB4B is a high power explosion proof loudspeaker, introduced as a replacement for the current DB4 with improved intelligibility and acoustic performance. Certified for use in a wide range of temperatures from -55°C to +70°C the Ex enclosure is manufactured from GRP with a rugged thermoplastic flare providing a corrosion free and aesthetically pleasing product.

The frequency response of the unit ensures that critical voice messages and general alarm tones are highly intelligible. The specific SPL figure for sensitivity is 1W @ 1m is 113dB whilst at 1m the 25W unit produces 127dB, the 15W unit 125dB and the 8W unit 123dB.

Options include DC blocking capacitors for monitored systems, resettable fuses for compliance with marine regulations and a swivel bracket that gives the installer greater flexibility when positioning the unit. The short flare option is a worthy addition to the range offering a high SPL and wide dispersion angle in a compact unit.



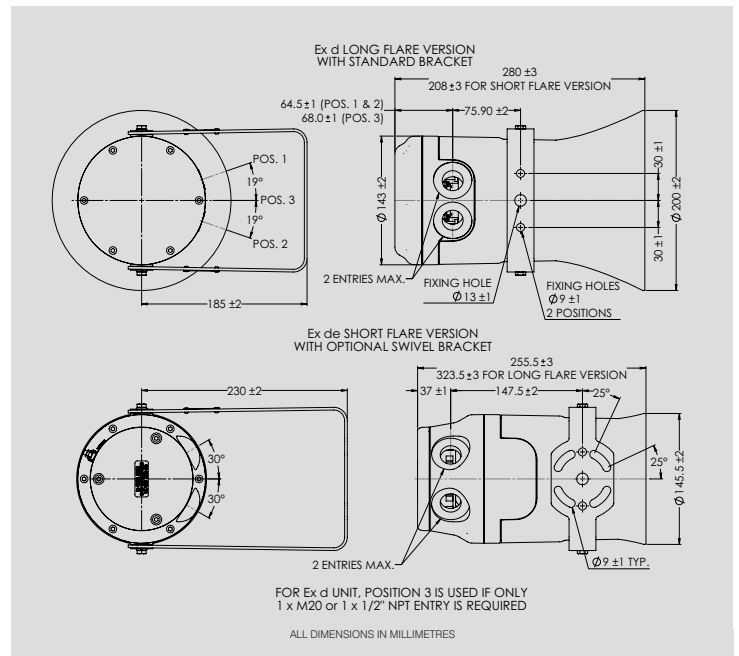
# Certification and Specification

<b>ATEX Ex d Gas:</b>	Cert. no. Baseefa13ATEX0229X. Certified to: EN60079-0, EN60079-1. Ex II 2 G, Ex d IIC T4/T5/T6 Gb.
<b>ATEX Ex d Gas &amp; Dust:</b>	Cert. no. Baseefa13ATEX0231X. Certified to: EN60079-0, EN60079-1, EN60079-31. Ex II 2 GD, Ex d IIC T4/T5/T6 Gb, Ex tb IIIC T135°C/T100°C/T85°C Db, IP66.
<b>ATEX Ex de Gas:</b>	Cert. no. Baseefa13ATEX0232X. Certified to: EN60079-0, EN60079-1, EN60079-7. Ex II 2 G, Ex de IIC T4/T5/T6 Gb.
<b>ATEX Ex de Gas &amp; Dust:</b>	Cert. no. Baseefa13ATEX0233X. Certified to: EN60079-0, EN60079-1, EN60079-7, EN60079-31. Ex II 2 GD, Ex de IIC T4/T5/T6 Gb, Ex tb IIIC T135°C/T100°C/T85°C Db, IP66.
<b>IECEX Ex d Gas:</b>	Cert. no. IECEX BAS 13.0112X. Certified to: IEC60079-0, IEC60079-1. Ex d IIC T4/T5/T6 Gb.
<b>IECEX Ex d Gas &amp; Dust:</b>	Cert. no. IECEX BAS 13.0113X. Certified to: IEC60079-0, IEC60079-1, IEC60079-31. Ex d IIC T4/T5/T6 Gb, Ex tb IIIC T135°C/T100°C/T85°C Db, IP66.
<b>IECEX Ex de Gas:</b>	Cert. no. IECEX BAS 13.0114X. Certified to: IEC60079-0, IEC60079-1, IEC60079-7. Ex de IIC T4/T5/T6 Gb.
<b>IECEX Ex de Gas &amp; Dust:</b>	Cert. no. IECEX BAS 13.0115X. Certified to: IEC60079-0, IEC60079-1, IEC60079-7, IEC60079-31. Ex de IIC T4/T5/T6 Gb, Ex tb IIIC T135°C/T100°C/T85°C Db, IP66.

<b>Material:</b>	Ex enclosure - Flame retardant, UV stable, Glass reinforced polyester. Flare - Flame retardant, high impact, UV stable, thermoplastic polyester. (UV stability tested to ISO 4892 part 3). Hardware - Bracket, fixings and captive cover screws in 316 stainless steel.
<b>Fire Retardancy :</b>	Body - Glass reinforced polyester. V0 flammability rating. Outer Flare - Thermoplastic Polyester. V0 flammability rating.
<b>Finish:</b>	Body - natural black. Flare - natural black, natural red or painted as specified. (Black short flare painted black).
<b>Rated Power:</b>	8W, 15W or 25W (other ratings available, contact MEDC).
<b>Frequency Range:</b>	Frequency response 350Hz to 8kHz.
<b>Weight:</b>	Ex d - 5.0kg, Ex de - 5.8kg. Based on long flare with transformer.
<b>Ingress Protection:</b>	IP66 & IP67.
<b>Earth Continuity:</b>	Optional for Ex de version. Not available on Ex d unit.
<b>Entries:</b>	Up to 2 x M20 or 1/2" NPT. Blanking plug available.
<b>Terminals:</b>	Ex d - 8 x 2.5mm <sup>2</sup> . Ex de - 8 x 4.0mm <sup>2</sup> .
<b>Mounting arrangement:</b>	Stainless steel bracket with ratchet facility, optional swivel bracket available.
<b>Labels:</b>	Optional duty and tag labels available.
<b>Dispersion angle:</b>	Long flare (-6dB) 1kHz = 140°, 4kHz = 40°. Short flare (-6dB) 1kHz = 240°, 4kHz = 50°.
<b>Driver Impedance:</b>	8Ω.
<b>SPL 1W/1m (Sensitivity):</b>	113dB (IIC long flare).

Maximum Output dB (1/3 octave average smoothed):						
Flare type	8W unit		15W unit		25W unit	
	Short	Long	Short	Long	Short	Long
IIC Gas	119dB	123dB	122dB	125dB	124dB	127dB
IIIC Gas & Dust	114dB	117dB	117dB	119dB	119dB	121dB

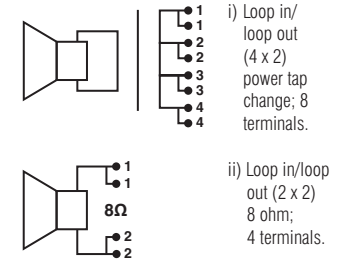
Certified Temperature:				
Protection Type	Minimum Temp	Maximum Temp		
	All units	8W unit	15W unit	25W unit
Ex d	-55°C	+70°C	+65°C	+55°C
Ex de	-50°C			



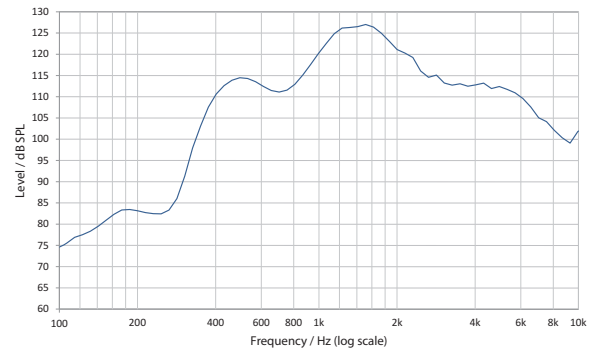
**Transformer:**  
Used by combining the rated power tapings below.

Tappings	8W	15W	25W
1:2	8.0	15.0	25.0
2:3	4.0	7.5	12.5
3:4	2.0	5.0	6.0
1.3	1.5	4.0	4.0
2.4	0.7	2.0	2.0
1.4	0.4	0.8	1.0

**Transformer Tapping Options:**



**Frequency Response for IIC long flare unit @ 25W, 1m with 1/3 octave averaging.**  
Test data from NTI test equipment.



**Ordering Requirements** The following code is designed to help in selection of the correct unit. Build up the reference number by inserting the code for each component into the appropriate box.

Model	Certification	Ex Atmosphere	Wattage	Transformer	Labels	Entries	Options	Finish																																																																																								
DB4B																																																																																																
	<table border="1"> <tr><th>Certification</th><th>Code</th></tr> <tr><td>ATEX Ex d</td><td>D</td></tr> <tr><td>ATEX Ex de</td><td>E</td></tr> <tr><td>IECEX Ex d</td><td>DJ</td></tr> <tr><td>IECEX Ex de</td><td>EJ</td></tr> <tr><td>Weatherproof</td><td>W</td></tr> </table>	Certification	Code	ATEX Ex d	D	ATEX Ex de	E	IECEX Ex d	DJ	IECEX Ex de	EJ	Weatherproof	W	<table border="1"> <tr><th>Ex Atmosphere</th><th>Code</th></tr> <tr><td>None</td><td>N*</td></tr> <tr><td>IIC Gas</td><td>G</td></tr> <tr><td>IIIC Gas &amp; Dust</td><td>GD</td></tr> </table> <p>* If Weatherproof select N for Ex Atmosphere</p>	Ex Atmosphere	Code	None	N*	IIC Gas	G	IIIC Gas & Dust	GD	<table border="1"> <tr><th>Wattage</th><th>Code</th></tr> <tr><td>8 Watt</td><td>8</td></tr> <tr><td>15 Watt</td><td>15</td></tr> <tr><td>25 Watt</td><td>25*</td></tr> </table> <p>* Select 25 if 8Ω is required.</p>	Wattage	Code	8 Watt	8	15 Watt	15	25 Watt	25*	<table border="1"> <tr><th>Transformer</th><th>Code</th></tr> <tr><td>8Ω</td><td>N</td></tr> <tr><td>100V</td><td>100</td></tr> </table>	Transformer	Code	8Ω	N	100V	100	<table border="1"> <tr><th>Labels</th><th>Code</th></tr> <tr><td>None</td><td>N</td></tr> <tr><td>Duty</td><td>D</td></tr> <tr><td>Tag</td><td>T</td></tr> </table>	Labels	Code	None	N	Duty	D	Tag	T	<table border="1"> <tr><th>Entries</th><th>Code</th></tr> <tr><td>1 x M20</td><td>1B*</td></tr> <tr><td>2 x M20</td><td>2B</td></tr> <tr><td>2 x M20</td><td>2BP</td></tr> <tr><td>Inc 1 x plug</td><td></td></tr> <tr><td>1 x 1/2" NPT</td><td>1C*</td></tr> <tr><td>2 x 1/2" NPT</td><td>2C*</td></tr> <tr><td>2 x 1/2" NPT</td><td>2CP*</td></tr> <tr><td>Inc 1 x plug</td><td></td></tr> </table> <p>* Not available Ex e.</p>	Entries	Code	1 x M20	1B*	2 x M20	2B	2 x M20	2BP	Inc 1 x plug		1 x 1/2" NPT	1C*	2 x 1/2" NPT	2C*	2 x 1/2" NPT	2CP*	Inc 1 x plug		<table border="1"> <tr><th>Options</th><th>Code</th></tr> <tr><td>None</td><td>N</td></tr> <tr><td>Swivel bracket</td><td>B</td></tr> <tr><td>Capacitor</td><td>C*</td></tr> <tr><td>Resettable fuse</td><td>F*</td></tr> <tr><td>Short flare</td><td>S</td></tr> <tr><td>Earth cont.</td><td>G†</td></tr> </table> <p>* Specify value. † Ex e only.</p>	Options	Code	None	N	Swivel bracket	B	Capacitor	C*	Resettable fuse	F*	Short flare	S	Earth cont.	G†	<table border="1"> <tr><th>Finish</th><th>Code</th></tr> <tr><td>Natural Black</td><td>N†</td></tr> <tr><td>Natural Red</td><td>R</td></tr> <tr><td>Yellow</td><td>Y</td></tr> <tr><td>Grey</td><td>G</td></tr> <tr><td>Blue</td><td>B</td></tr> <tr><td>Special</td><td>S*</td></tr> </table> <p>* Please specify. † Short flare painted black.</p>	Finish	Code	Natural Black	N†	Natural Red	R	Yellow	Y	Grey	G	Blue	B	Special	S*
Certification	Code																																																																																															
ATEX Ex d	D																																																																																															
ATEX Ex de	E																																																																																															
IECEX Ex d	DJ																																																																																															
IECEX Ex de	EJ																																																																																															
Weatherproof	W																																																																																															
Ex Atmosphere	Code																																																																																															
None	N*																																																																																															
IIC Gas	G																																																																																															
IIIC Gas & Dust	GD																																																																																															
Wattage	Code																																																																																															
8 Watt	8																																																																																															
15 Watt	15																																																																																															
25 Watt	25*																																																																																															
Transformer	Code																																																																																															
8Ω	N																																																																																															
100V	100																																																																																															
Labels	Code																																																																																															
None	N																																																																																															
Duty	D																																																																																															
Tag	T																																																																																															
Entries	Code																																																																																															
1 x M20	1B*																																																																																															
2 x M20	2B																																																																																															
2 x M20	2BP																																																																																															
Inc 1 x plug																																																																																																
1 x 1/2" NPT	1C*																																																																																															
2 x 1/2" NPT	2C*																																																																																															
2 x 1/2" NPT	2CP*																																																																																															
Inc 1 x plug																																																																																																
Options	Code																																																																																															
None	N																																																																																															
Swivel bracket	B																																																																																															
Capacitor	C*																																																																																															
Resettable fuse	F*																																																																																															
Short flare	S																																																																																															
Earth cont.	G†																																																																																															
Finish	Code																																																																																															
Natural Black	N†																																																																																															
Natural Red	R																																																																																															
Yellow	Y																																																																																															
Grey	G																																																																																															
Blue	B																																																																																															
Special	S*																																																																																															

All specifications, dimensions, weights and tolerances are nominal (typical) and MEDC reserve the right to vary all data without prior notice. No liability is accepted for any consequence of use.

