

## Exd



## Features

- ATEX Certified.
- IECEx Certified.
- Ex II 2GD.
- Exd IIC T6 Gb.
- Ext IIIC T80°C Db.
- IP67.
- -15°C to +60°C.
- 304 or 316L Stainless Steel.
- 360° continuous pan rotation.
- 120° tilt rotation.
- Multiple scanning mode.
- Advanced OSD menu.
- Ceiling mounted.
- Multiple control protocols supported.
- Auto Image Reverse.

## Introduction

This Pan, Tilt and Zoom Pendant Camera Station has been designed specifically for hazardous areas requiring ATEX or IECEx certification. It is suitable for use across a wide range of applications; with the option of 304 Stainless Steel (electro-polished or painted) or 316L stainless steel.

The continuous 360° pan rotation and 120° tilt gives an unrestricted view of the surrounding area. The Pendant design combines the features of a dome camera with a traditional PTZ providing scope for wider operational functions.

With Pelco D/P protocol as standard and a variety of mounting brackets the MCS2 has the operational capability for most demanding CCTV applications.

**ATEX IECEx**

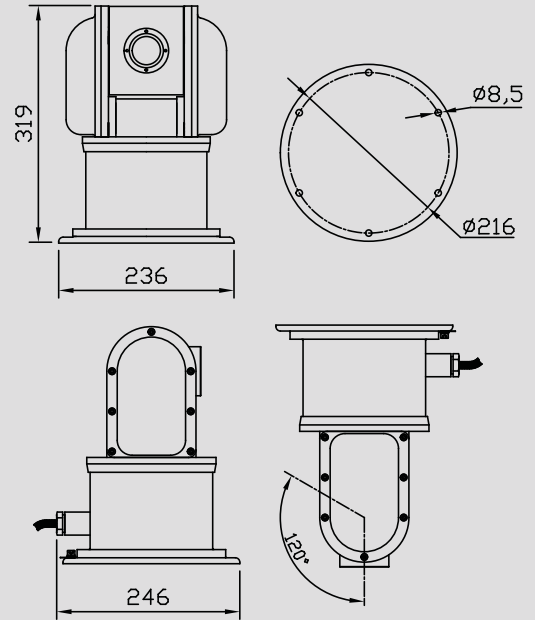
# Specification

<b>Certification:</b>	ATEX Cert No. Baseefa 13ATEX0084. IECEX Cert No. IECEX BAS 13.0106. Ex II 2GD Exd IIC T6 Gb, Ext IIIC T80°C Db.
<b>Material:</b>	304 or 316L Stainless Steel.
<b>Finish:</b>	Electro-polished (316L and 304) or Painted to customer specification (304 only).
<b>Voltage:</b>	110Vac to 240Vac ( $\pm 10\%$ ), 50/60Hz.
<b>Current:</b>	$\leq 500\text{mA}$ .
<b>Power:</b>	$< 50\text{W}$ .
<b>Certified Temp:</b>	$-15^{\circ}\text{C}$ to $+60^{\circ}\text{C}$ .
<b>Weight:</b>	22Kg (+6.25Kg with wall bracket)
<b>Ship Weight:</b>	26Kg (+6.25Kg with wall bracket)
<b>Wall Bracket Load:</b>	100Kg
<b>Ingress Protection:</b>	IP67.
<b>Humidity:</b>	95%RH ( $+25^{\circ}\text{C}$ ).
<b>Pan:</b>	360° continuous.
<b>Pan Speed:</b>	0.1°/S to 60°/S.
<b>Tilt:</b>	$-90^{\circ}$ to $+30^{\circ}$ .
<b>Tilt Speed:</b>	0.1°/S to 60°/S.
<b>Presets:</b>	128.
<b>Preset Accuracy:</b>	$\pm 0.1^{\circ}$
<b>Protocol:</b>	Multiple including Pelco D/P
<b>Communication:</b>	RS-485.
<b>Communication Rate:</b>	2400/ 4800/ 9600/ 19200 bps.
<b>Cable Connection:</b>	3-core for power. 2-core non-shielded for control. Coaxial cable for video output.
<b>Cable Tail Length:</b>	2.5M as standard other lengths on request.

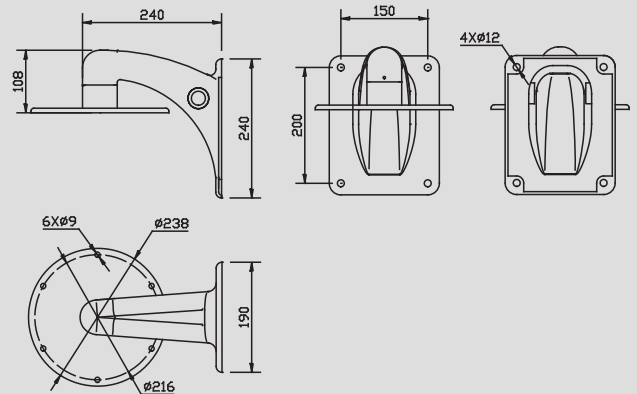
## Typical Camera Options

<b>Camera:</b>	Sony.
<b>Video Mode:</b>	PAL, NTSC.
<b>Video Output:</b>	$1.0 \pm 0.2\text{Vp-p} / 75\Omega$ .
<b>CCD:</b>	1/4" Exview HAD.
<b>Line/ Frame Scanning:</b>	15.625KHz / 50Hz.
<b>Zoom:</b>	18x optical zoom with auto focus. F1.4 - 3.0, F = 4.1 - 73.8mm. 12x Digital Zoom.
<b>Pixel Resolution:</b>	752(H) x 582(V) PAL; 768(H) x 494(V) NTSC.
<b>Horizontal resolution:</b>	480TV Lines.
<b>Minimal Focus:</b>	0.29m (Wide) / 0.8m (Tele).
<b>View Angle:</b>	48° (Wide) / 2.8° (Tele).
<b>S/N Ratio:</b>	$> 50\text{dB}$ .
<b>Minimum Illumination:</b>	0.7Lux (Colour) / 0.01Lux (B/W).

MCS2



MCB2 - Optional Wall Bracket



### Standard Configurations:

Model	Certification	Material	Lens	Video Mode	Bracket	Finish
MCS2B316L18PWE	ATEX	316L Stainless Steel	18x Optical Zoom	PAL	Wall Bracket	Electro-Polished
MCS2B316L18NWE	ATEX	316L Stainless Steel	18x Optical Zoom	NTSC	Wall Bracket	Electro-Polished
MCS2B30418PWG	ATEX	304 Stainless Steel	18x Optical Zoom	PAL	Wall Bracket	Painted Grey
MCS2B30418NWG	ATEX	304 Stainless Steel	18x Optical Zoom	NTSC	Wall Bracket	Painted Grey
MCS2J316L18PWE	IECEX	316L Stainless Steel	18x Optical Zoom	PAL	Wall Bracket	Electro-Polished
MCS2J316L18NWE	IECEX	316L Stainless Steel	18x Optical Zoom	NTSC	Wall Bracket	Electro-Polished
MCS2J30418PWG	IECEX	304 Stainless Steel	18x Optical Zoom	PAL	Wall Bracket	Painted Grey
MCS2J30418NWG	IECEX	304 Stainless Steel	18x Optical Zoom	NTSC	Wall Bracket	Painted Grey

## Ordering Requirements

The following code is designed to help in selection of the correct unit. Build up the reference number by inserting the code for each component into the appropriate box.

Model	Certification	Material	Lens	Video Mode	Bracket	Finish					
MCS2											
<b>Certification</b>	<b>Code</b>	<b>Material</b>	<b>Code</b>	<b>Lens</b>	<b>Code</b>	<b>Video Mode</b>	<b>Code</b>	<b>Bracket</b>	<b>Code</b>	<b>Finish</b>	<b>Code</b>
ATEX	B	316L Stainless Steel	316L	18x Optical Zoom	18	PAL	P	None	N	Electro Polished	E
IECEX	J	304 Stainless Steel	304	23x Optical Zoom	23	NTSC	N	Wall	W	White	W†
				26x Optical Zoom	26					Grey	G†
										Special	S*†

\* Please Specify.  
† 304SS only