

oxy.IQ

Panametrics Oxygen Transmitter



Applications

An oxygen transmitter for use in:

- Glove box purge and leak detection
- Natural gas
- Semiconductor wafer machines
- Coating process machines
- Membrane air separators
- Inert welding gases
- Pure gaseous hydrocarbon streams
- Process monitoring of gaseous monomers
- Heat treating and bright annealing

Features

- Two-wire, loop-powered 4 to 20 mA transmitter
- Display with keypad
- Intrinsically safe option (pending)
- Proven galvanic fuel cell O₂ sensor technology
- User selectable ranges for ppm and percent oxygen
- User-friendly and intuitive user interface with diagnostics
- Microprocessor-based, all-digital technology for reliable operation
- Low maintenance, economical and compact
- Sensor failure output error
- Sensor lifetime indication
- NAMUR error indication



Panometrics Oxygen Transmitter

The oxy.IQ is a highly reliable and cost-effective two-wire, loop-powered transmitter with a linearized 4 to 20 mA output. It measures oxygen in ten ppm ranges and seven percentage ranges. All ranges are user-selectable. This compact transmitter uses proven sensor technology to accurately measure O₂ in a variety of gases, even in hazardous environments.

Proven Sensor Technology

The oxy.IQ's oxygen sensor is an advanced galvanic fuel cell that provides superior performance, accuracy, stability and long life. The cell's innovative design eliminates the potential for negative signal output, reduces sources of contamination.

The cell is unaffected by other background gases or hydrocarbons and is compatible with acid gases (OX-2 and OX-4 cells). Recovery from air at low ppm levels takes just a few minutes. Because the cell is self-contained, minimal maintenance is required. There is no electrolyte to change or electrodes to clean.

Intrinsically Safe

When equipped with optional zener barriers, the oxy.IQ can be mounted in a hazardous (classified) location. The oxy.IQ with Intrinsically Safe option is pending certification to USA, Canadian, ATEX, and international IECEx IS requirements. The standard oxy.IQ option is pending certification to USA, Canadian, EU ATEX and International IECEx Div2/Zone 2 Non Incendive requirements.



Advanced Galvanic Fuel Cell Sensor

Control at the Tip of a Finger

The rugged oxy.IQ is controlled by a microprocessor that enables the user to select the range, trim outputs and perform calibration. Improved user interface includes user-selectable and programmable ranges, sensor diagnostics including a sensor lifetime feature and sensor raw signal, low reading/sensor failure signal and temperature compensation. Programming is easily done using the keypad and display. These keypad buttons allow complete functionality in hazardous areas when equipped with an MTL7706 barrier (certification pending).

Installation Flexibility

The compact oxy.IQ, with its built-in microprocessor, is designed to fit easily into any installation site. The oxy.IQ can be installed right at the sampling point, whereas other transmitters must be rack or panel mounted.

Sample Systems

In addition to standard features and options, GE offers a full line of sample handling systems for a variety of applications. If needed, GE can design and build a sample conditioning system to meet unique application requirements. Please contact GE for details.

Oxygen Sensor Interference Gases

Gas	OX-1 and OX-5,	OX-2, ppm	OX-3, %		OX-4%	
	ppm Cont.	Cont.	Cont.	Int. (1)	Cont.	Int.
H ₂ S	<5 ppm	<10 ppm	0.0005%	0.01%	0.001%	0.1%
SO ₃	<10 ppm	<10 ppm	0.01%	0.1%	0.01%	0.1%
SO ₂	<10 ppm	(3)	0.01%	0.1%	(3)	(3)
HCl	<1000 ppm	(3)	0.1%	1.0%	(3)	(3)
HCN	<1000 ppm	(3)	0.1%	1.0%	(3)	(3)
CO ₂	<1000 ppm	(3)	0.1%	20%	(3)	(3)
NO ₂	(2)	(2)	(2)	(2)	(2)	(2)
CL ₂	(2)	(2)	(2)	(2)	(2)	(2)

Cont. = Continuous, Int. = Intermittent

(1) Recommended maximum exposure 30 minutes followed by flushing with ambient air for equal period

(2) Minimal effect on sensor performance, but produces signal interference of 1:2 ratio, ppm levels only. For example, 100 ppm NO₂ looks like 200 ppm O₂

(3) Minimal effect on sensor performance

oxy.IQ Specifications

Intrinsically Safe (IS) Installation

Intrinsically safe installations (when available) require an MTL7706 zener barrier, one IS cable and one non-IS cable.

Power Requirements

24 to 28 VDC at 50 mA

Cable

- PN 704-1318: blue jacket, twisted pair with connector; 26 AWG; 2 or 10 m length

Output

Total load must equal $250 \Omega \pm 5\%$ when using zener barrier

Non-Incendive (Div 2) and General Purpose Installation

No zener barrier is used.

Power Requirements

9 to 28 VDC loop powered, 0.7 W max

Cable

- PN 704-1317: black jacket, twisted pair with connector; 26 AWG; 2 or 10 m length

All Installations

Process Wetted Materials

- SS process unit: 316 stainless steel, Viton® O-ring, gold plated sensor electrical contacts and glass

User-Selectable Measurement Ranges

- PPM sensors:
 - 0 to 10 ppm_v O₂ (OX-1 or OX-2 only)
 - 0 to 20 ppm_v O₂ (OX-1 or OX-2 only)
 - 0 to 50 ppm_v O₂ (OX-1 or OX-2 only)
 - 0 to 100 ppm_v O₂
 - 0 to 200 ppm_v O₂
 - 0 to 500 ppm_v O₂
 - 0 to 1000 ppm_v O₂
 - 0 to 2000 ppm_v O₂
 - 0 to 5000 ppm_v O₂
 - 0 to 10,000 ppm_v O₂
- Percent sensors:
 - 0% to 1% O₂
 - 0% to 2% O₂
 - 0% to 5% O₂
 - 0% to 10% O₂
 - 0% to 25% O₂
 - 0% to 50% O₂

Accuracy

- $\pm 1\%$ of range at calibration point
- $\pm 2\%$ of range at the calibration point for the 0 to 10 ppmv range (OX-1 or OX-2 only)

Repeatability

- $\pm 1\%$ of range
- $\pm 2\%$ of Range for the 0 to 10 ppmv range (OX-1, 2 only)

Resolution

$\pm 0.1\%$ of range

Linearity

- $\pm 2\%$ of range (OX-1, 2, 3, 5)
- $\pm 5\%$ of range (OX-4)

O₂ Sensor Operating Temperature

32°F to 113°F (0°C to 45°C)

Sample Pressure

Vented to atmosphere during operation and calibration

Atmospheric Pressure Effect

$\pm 0.13\%$ of reading per mmHg (directly proportional to absolute pressure). During calibration, pressure and flow must be kept constant.

Process Connection

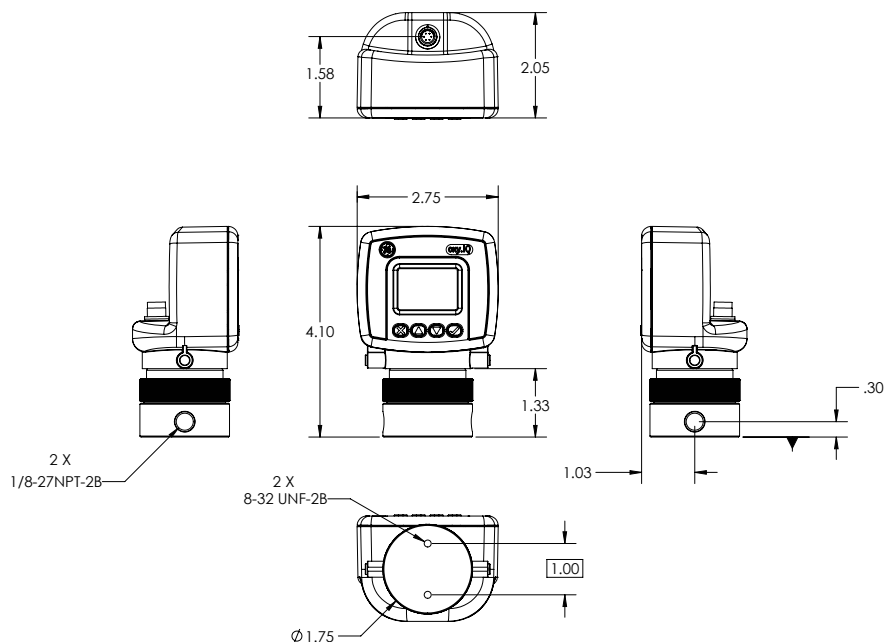
- 1/8 in NPT inlet and outlet

Dimensions

4.10 in x 2.75 in x 2.05 in

Weight

1.35 lb (612 grams)



Sample Flow Rate

1.0 SCFH (500 cc/min) recommended for process units

Electrical Classification/Certification (Pending)

Intrinsically Safe package with zener barrier

USA/Canada

IS for Class I, II, III, Div 1, Groups A, B, C, D, E, F, G, T6

AEx ia IIC T6; Ex ia IIC T6; Tamb -20 to +60°C

EU ATEX and International IECEx

Ex Ia IIC Ge T6

Ex ta IIC De T85C

Tamb -20 to 60°C

Standard package; Non-incendive without use of zener barrier or galvanic isolator

USA/Canada

Class I, Division 2, Groups A, B, C, D, T6

ATEX/ IECEx

Ex na IIC T6

Weatherproof/Corrosion Resistant

Type 4X

IP66

Order and Calibration Information

Record selected option in blank indicated at bottom of form.

OXVIQ BCD-E Option Code

A - Model Only

oxy.IQ Oxygen Transmitter; 4 to 20 mA output

B - Sensor

- 0 No sensor
- 1 Standard ppm, 0 to 10, 20, 50, 100, 200, 500, 1000 ppm
- 2 Acid ppm, 0 to 10, 20, 50, 100, 200, 500, 1000 ppm
- 3 Standard percent sensor
- 4 Acid percent sensor
- 5 Standard ppm, 0 to 100, 200, 500 and 1000 ppm

C - Package

- 1 Standard
- 2 Intrinsically safe

D - Cable

- 0 No cable
- 1 2 meter cable
- 2 10 meter cable

E - Zener Barrier

- 0 None
- 1 Zener Barrier

Use this number to order product

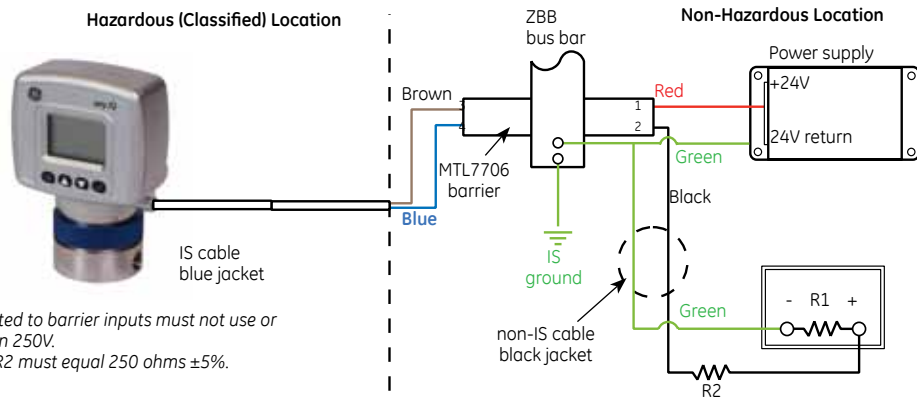
European Compliance

Complies with EMC Directive 2004/108/EC

oxy.IQ Transmitter

With Zener Barrier

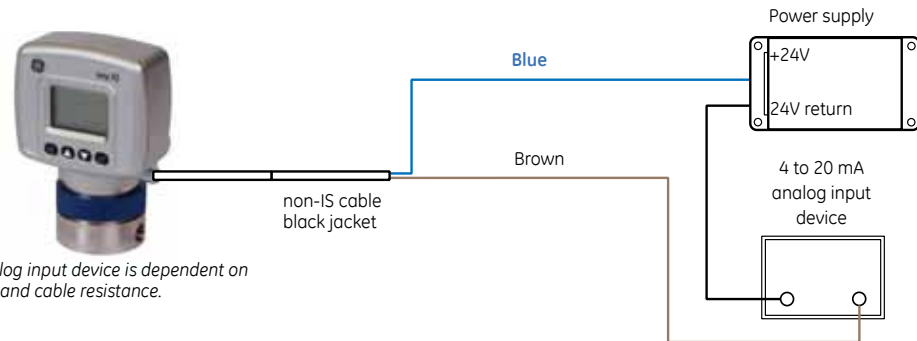
oxy.IQ Transmitter



1. Equipment connected to barrier inputs must not use or generate more than 250V.
2. Total load of R1 + R2 must equal 250 ohms ±5%.

Without Zener Barrier

oxy.IQ Transmitter



Maximum load of analog input device is dependent on power supply voltage and cable resistance.

oxy.IQ Installation with zener barrier (top) and installation without zener barrier (bottom).



www.ge-mcs.com

920-603A