

RHE 07/RHE 08

Advanced Transmitters
from GE's Rheonik Mass
Flowmeter Experts



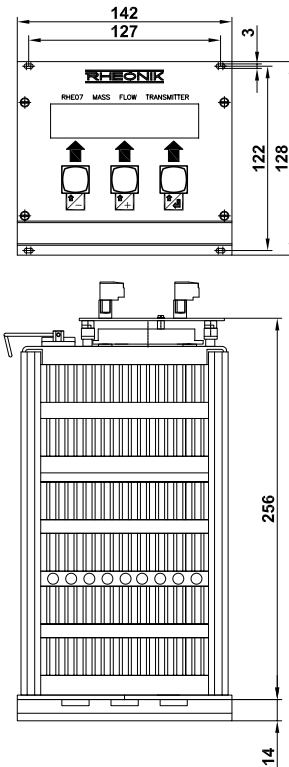
RHE 07 / RHE 08 Features

- Built in barriers allow operation of RHM sensor in hazardous area, optional ATEX, CSA and other approvals
- Temperature range from -20°C to 60°C (-4°F to 140°F)
- Analog outputs (0/4 - 20/22 mA), pulse/frequency outputs, digital outputs and inputs
- Optional interfaces RS 422, RS 485, RS 232 or HART
- LCD display and three pushbuttons for all settings
- Batch control
- Multifunctions (density, Brix, concentration etc.)
- Power consumption less than 15 W
- Available in all common supply voltages
- RHE07C, double pulse version available

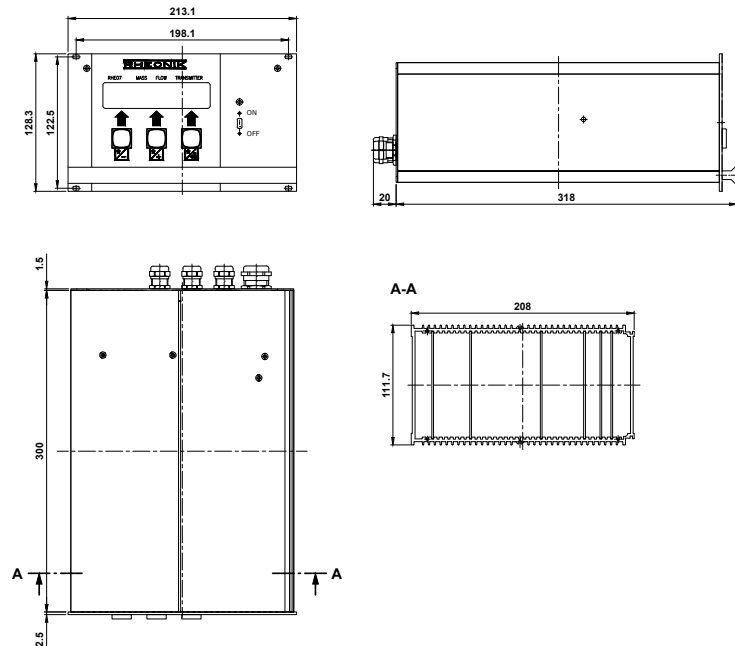


RHE 07 / 07C Specifications

RHE 07 Specifications	
Housing	1/3, 19" rack module
Enclosure Rating	IP 20
Ambient Temperature	-20°C to +60°C (-4°F to +140°F)
Dimensions	142 x 128 x 256 mm (5.59 x 5.05 x 10.08 in)
Display	LCD 16 characters, 2 lines
Servicing	via 3 pushbuttons for all settings
Outputs (*)	2 analog, 1 frequency/pulse, 3 digital (programmable)
Inputs (*)	2 digital (programmable)
Power supply	230 VAC, 115 VAC or 24 VDC; tolerance +/- 10%
Cable connection	terminal block
Serial Interface (optional)	RS 422, RS 485 or RS 232
ATEX approval (optional)	transmitter: Ex II (1) G [Ex ia Ga] IIC; sensor: Ex II 1 G, EEx ia IIC T6-T1
CSA approval (optional)	transmitter: safe area; sensor: Class I, Div. 1, Groups A, B, C, D (both for USA, Canada)
Weight	approx. 1.9 kg (4.2 lb)



RHE 07C Specifications - Special Double Pulse Output Version	
Housing	2/3, 19" rack module
Enclosure Rating	IP 20
Ambient Temperature	-20°C to +60°C (-4°F to +140°F)
Dimensions	213 x 128 x 300 mm (8.39 x 5.05 x 11.81 in)
Display	LCD 16 characters, 2 lines, backlit
Servicing	via 3 pushbuttons for all settings, 1 keypad lock switch
Outputs (*)	Double pulse 90° phase shifted, 2 analog, 2 digital (flow direction, errors)
Inputs (*)	2 digital (programmable)
Power supply	24 VDC; tolerance +/- 10%
Cable connection	terminal block
Serial Interface (optional)	RS 232
ATEX approval	transmitter: Ex II (1) G [Ex ia Ga] IIC; sensor: Ex II 1 G, EEx ia IIC T6-T1
Weight	approx. 3.7 kg (8.2 lb)

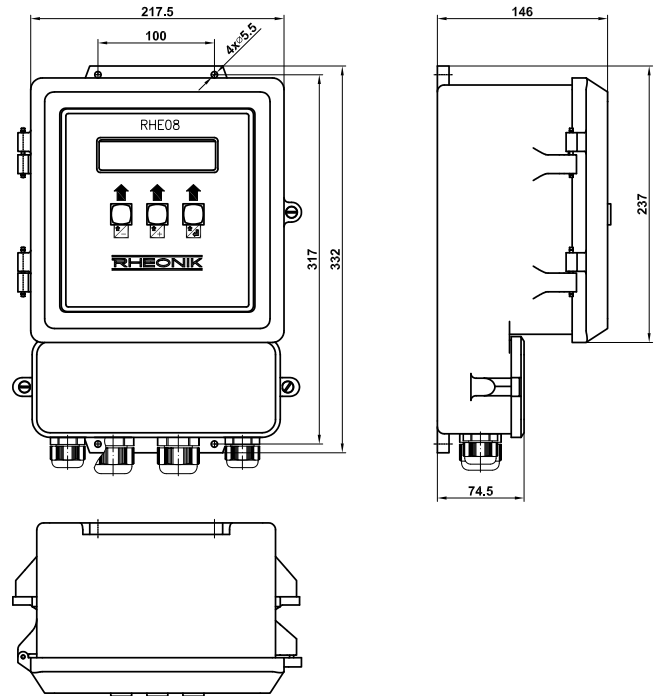


(*)Digital in/outputs via open collector optocouplers. For details please see wiring diagrams. User manuals, including wiring diagrams, are available for free download on www.ge-mcs.com/en/flow/coriolis.html

RHE 08 Specifications

RHE 08 Specifications	
Housing	Aluminum (wall mounting)
Enclosure Rating	IP 65
Ambient Temperature	-20°C to +60°C (-4°F to +140°F)
Dimensions	332 x 218 x 146 mm (13.07 x 8.58 x 5.75 in)
Display	LCD 16 characters, 2 lines
Servicing	via 3 pushbuttons for all settings
Outputs (*)	2 analog, 1 frequency/pulse, 3 digital (programmable)
Inputs (*)	2 digital (programmable)
Power supply	230 VAC, 115 VAC or 24 VDC; tolerance +/- 10%
Cable entries	4 x M25 x 1.5, others optional
Serial Interface (optional)	RS 422, RS 485, RS 232 or HART
ATEX approval (optional)	transmitter: Ex II (1) G [Ex ia Ga] IIC; sensor: Ex II 1 G, EEx ia IIC T6-T1
CSA approval (optional)	transmitter: Class I, Div. 2; sensor: Class I, Div. 1, Gr. A, B, C, D (both for USA, Canada)
Weight	approx. 4.7 kg (10.4 lb)

(*) Digital in/outputs via open collector optocouplers. For details please see wiring diagrams. User manuals, including wiring diagrams, are available for free download on www.ge-mcs.com/en/flow/coriolis.html



Order Code RHE 07 / 07C / 08

RHE 07

Supply Voltage

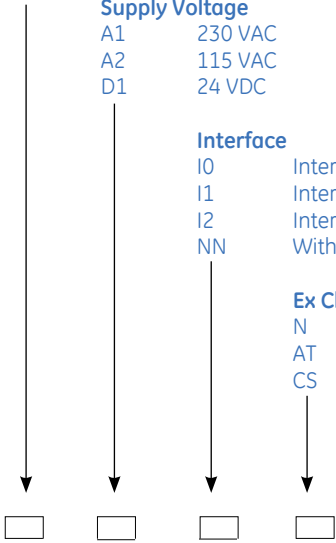
A1 230 VAC
A2 115 VAC
D1 24 VDC

Interface

I0 Interface RS 485 - 9 pin female socket
I1 Interface RS 422 - 9 pin female socket
I2 Interface RS 232 - 25 pin female socket
NN Without

Ex Class

N Without
AT ATEX approval Ex II (1) G [Ex ia Ga] IIC
CS CSA approval USA-Canada for safe area



RHE 07C – Special Double Pulse Output Version

Supply Voltage

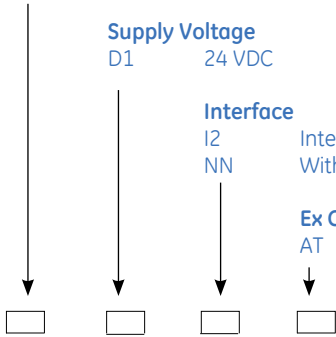
D1 24 VDC

Interface

I2 Interface RS 232 - 25 pin female socket
NN Without

Ex Class

AT ATEX approval Ex II (1) G [Ex ia Ga] IIC



RHE 08

Supply Voltage

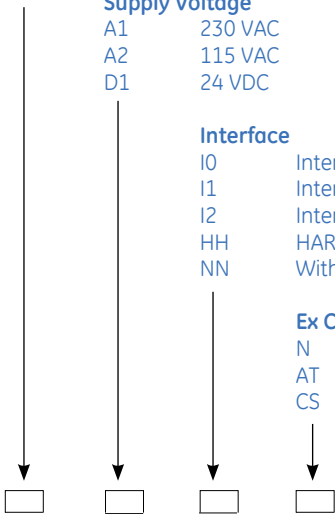
A1 230 VAC
A2 115 VAC
D1 24 VDC

Interface

I0 Interface RS 485 - 9 pin female socket
I1 Interface RS 422 - 9 pin female socket
I2 Interface RS 232 - 25 pin female socket
HH HART interface
NN Without

Ex Class

N Without
AT ATEX approval Ex II (1) G [Ex ia Ga] IIC
CS CSA approval USA-Canada Class I, Div. 2



www.ge-mcs.com

920-489A