

# RHE 11 / RHE 12

Explosion Proof Transmitters from GE's  
Rheonik Mass Flowmeter Experts



## RHE 11 Features

- Stainless steel housing for wall/hook mounting
- Full 316Ti stainless steel version available
- ATEX approval for installation in hazardous areas
- Available in all common supply voltages
- Multifunction (density, Brix, concentration etc.)
- Analog and pulse outputs, optional RS485, HART interface, optional digital input / output
- Protection class IP66 / NEMA 4x
- Power consumption < 15W



## RHE 12 Features

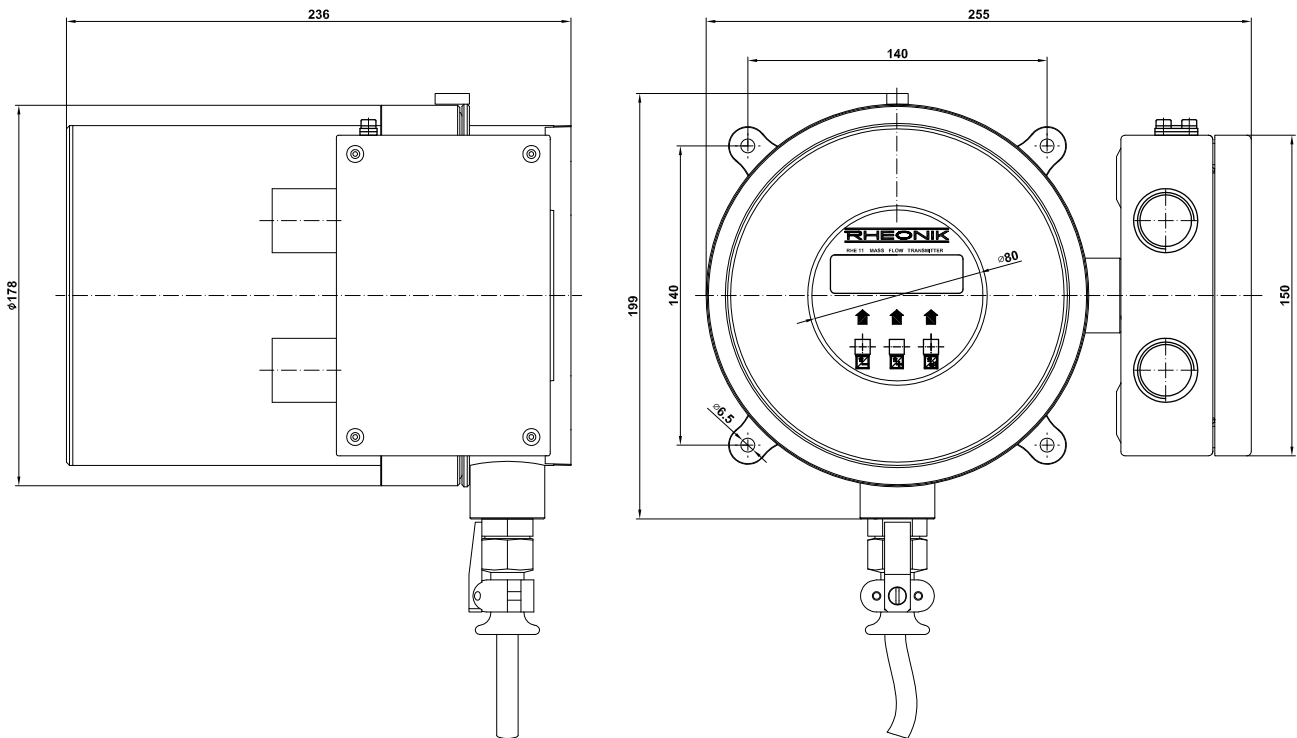
- Compact, pressure safe, coated aluminum housing for wall/hook mounting
- ATEX and CSA approvals for installation in hazardous areas
- Power supply 24 VDC
- Analog and pulse outputs, HART interface
- Protection class IP66 / NEMA 4x
- Power consumption approx. 7W



# RHE 11 Specifications

RHE 11 Specifications	
Housing	stainless steel for hook/wall mounting, explosion proof, optional in complete SS 316Ti
Enclosure Rating	IP 66 / NEMA 4x
Ambient Temperature	-20°C to +60°C (-4°F to +140°F)
Dimensions	255 x 199 x 236 mm (10.04 x 7.83 x 9.29 in)
Display	LCD 16 characters, 2 lines
Servicing	via 3 photosensors
Outputs (*)	1-2 analog, 1 frequency/pulse, optional 1 digital (limit, direction, errors)
Inputs (*)	optional 1 digital (hold, reset, zero)
Power supply	230 VAC, 115 VAC or 24 VDC; tolerance +/- 10%
Cable entries	integral cable to sensor, 2 x M25 x 1.5, others optional
Serial Interface (optional)	RS 485 or HART
ATEX approval	transmitter: Ex II 2(1) G, Ex db eb (ia Ga) IIC T5; sensor: Ex II 1 G, EEx ia IIC T6-T1
Weight	approx. 10 kg (22 lb)

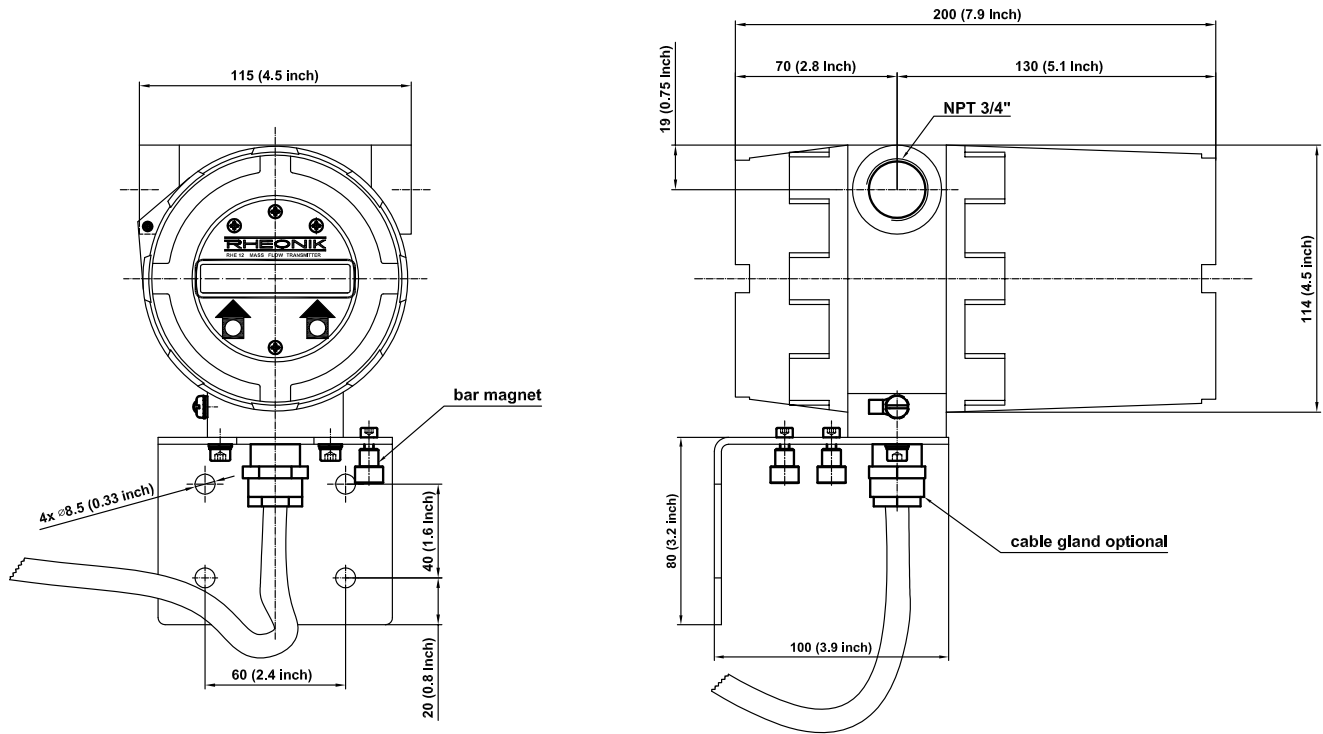
(\*) Digital in/outputs via open collector optocouplers. For details please see wiring diagrams. User manuals, including wiring diagrams, are available for free download on [www.ge-mcs.com/en/flow/coriolis.html](http://www.ge-mcs.com/en/flow/coriolis.html)



# RHE 12 Specifications

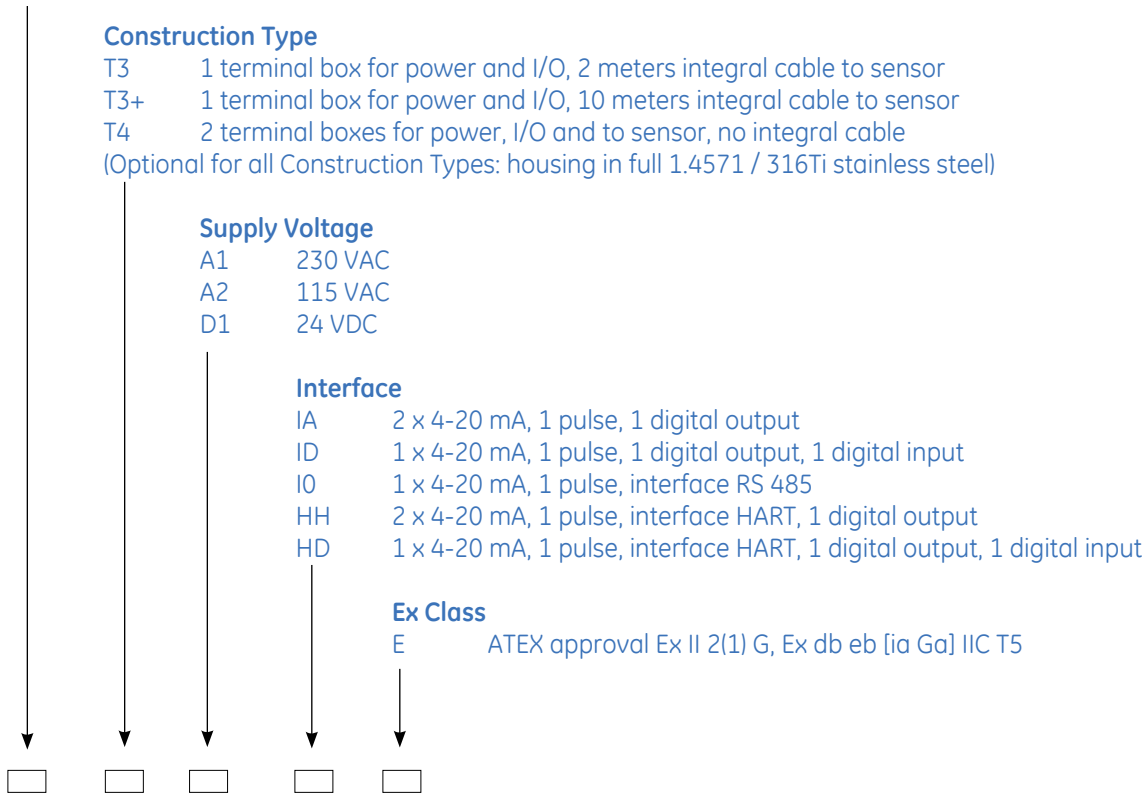
RHE 12 Specifications	
Housing	aluminium for hook/wall mounting, explosion proof
Enclosure Rating	IP 66 / NEMA 4x
Ambient Temperature	-20°C to +55°C (-4°F to +131°F)
Dimensions	200 x 114 mm (7.9 x 4.5 in) without cable gland/mounting hook
Display	LCD 16 characters, 2 lines
Servicing	via 2 magnetic sensors, appropriate adjusting magnets are included
Outputs (*)	1 analog, 1 frequency/pulse
Power supply	24 VDC; tolerance +/- 10%
Cable entries	integral cable to sensor, 1 x NPT 3/4"
Serial Interface	HART
ATEX approval (optional)	transmitter: Ex II 2 (1) G Ex db [ia Ga] IIC T6; sensor: Ex II 1 G, EEx ia IIC T6-T1
CSA approval (optional)	transmitter: Class I, Div. 1, Gr. B, C, D; sensor: Class I, Div. 1, Gr. A, B, C, D (both for USA-Canada)
Weight	approx. 3 kg (6.6 lb)

(\*) Digital output via open collector optocoupler. For details please see wiring diagrams. User manuals, including wiring diagrams, are available for free download on [www.ge-mcs.com/en/flow/coriolis.html](http://www.ge-mcs.com/en/flow/coriolis.html)

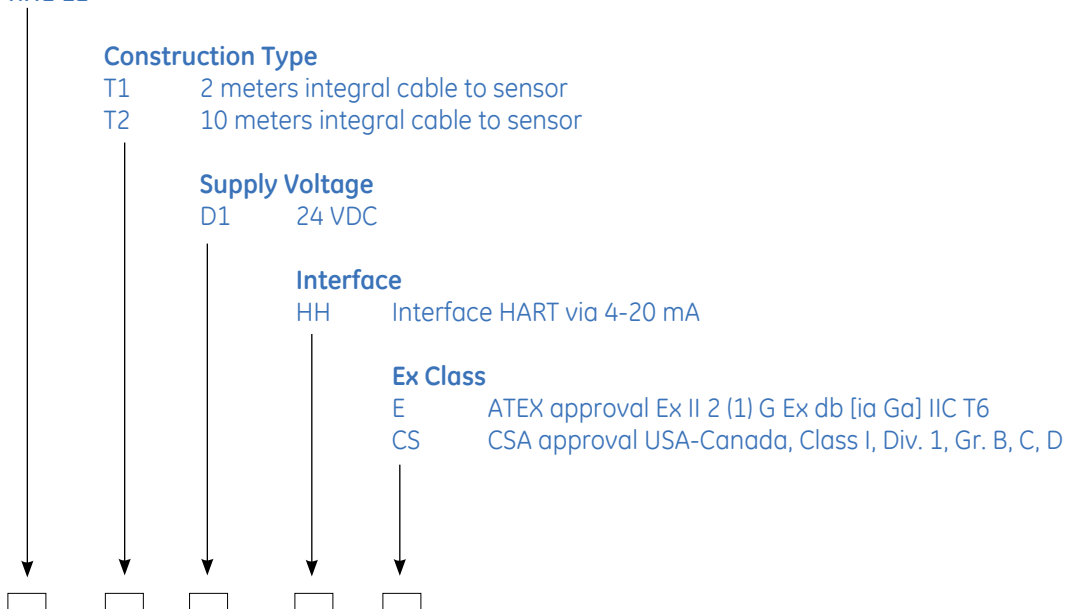


# Basic Order Code RHE 11 / 12

## RHE 11



## RHE 12



[www.ge-mcs.com](http://www.ge-mcs.com)

920-487B