

RHE 15/ RHE 14 EZB

Additional Transmitter
Modules from GE's Rheonik
Mass Flowmeter Experts



RHE 15 – PROFIBUS DP Module

- Allows bi-directional communication with a PROFIBUS DP system in combination with transmitter RHE14
- Optional 3 analog signals and 1 pulse output from any instrument (including RHE 07/08/11) to be converted for PROFIBUS DP
- Compact plastic housing, DIN rail mounting
- PROFIBUS bitrate up to 1.5 MBit/s
- Power consumption 2 – 3 W



RHE 14 EZB – Safety Barrier Module for RHE 14/ RHE 16

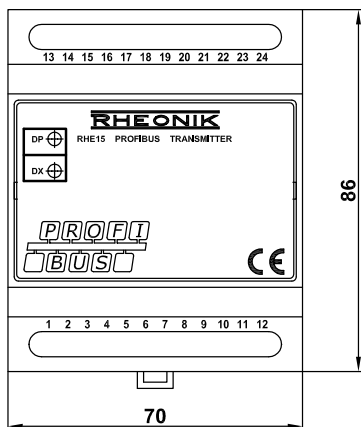
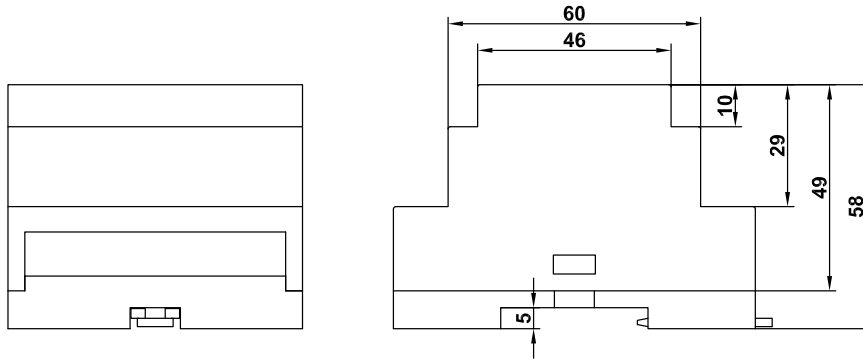
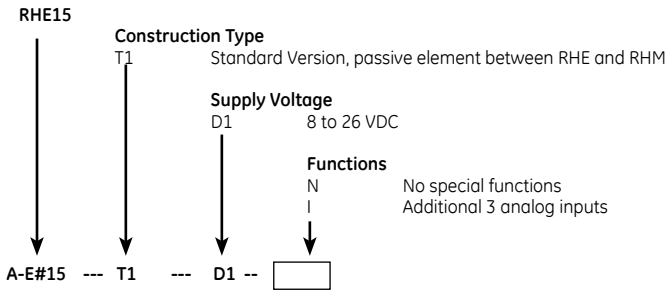
- Allows the RHE 14/ RHE 16 transmitters to operate an RHM sensor installed in a hazardous area
- Compact plastic housing, DIN rail mounting
- ATEX and IEC certified
- No power supply required



RHE 15 Specifications

RHE 15 Specifications	
Housing	PC/PPO (plastic) for DIN rail mounting
Enclosure Rating	IP 20
Ambient Temperature	-40°C to +65°C (-40°F to +149°F)
Dimensions	70 x 86 x 58 mm (2.76 x 3.39 x 2.28 in)
Inputs	RS 232 via HART, 1 pulse (active TTL), optional 3 analog (0-20 mA)
Outputs	PROFIBUS
Servicing	via PROFIBUS DP master or RS 232 terminal program
Power supply	8 to 26 VDC
Cable connection	terminal block, sub-D female 9 contacts
Weight	approx. 0.2 kg (0.44 lb)

Order Code

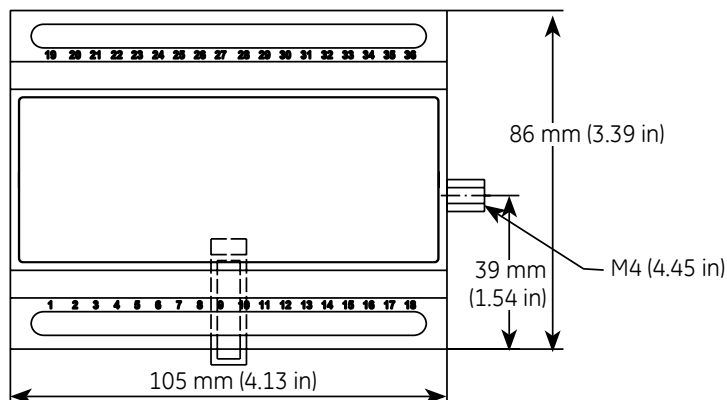
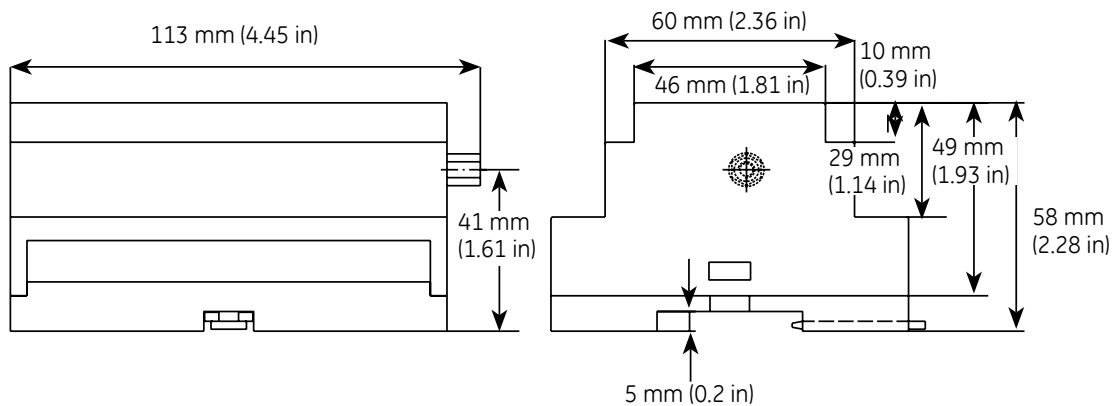
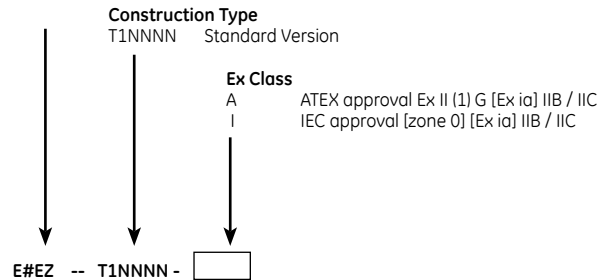


RHE 14 EZB Specifications

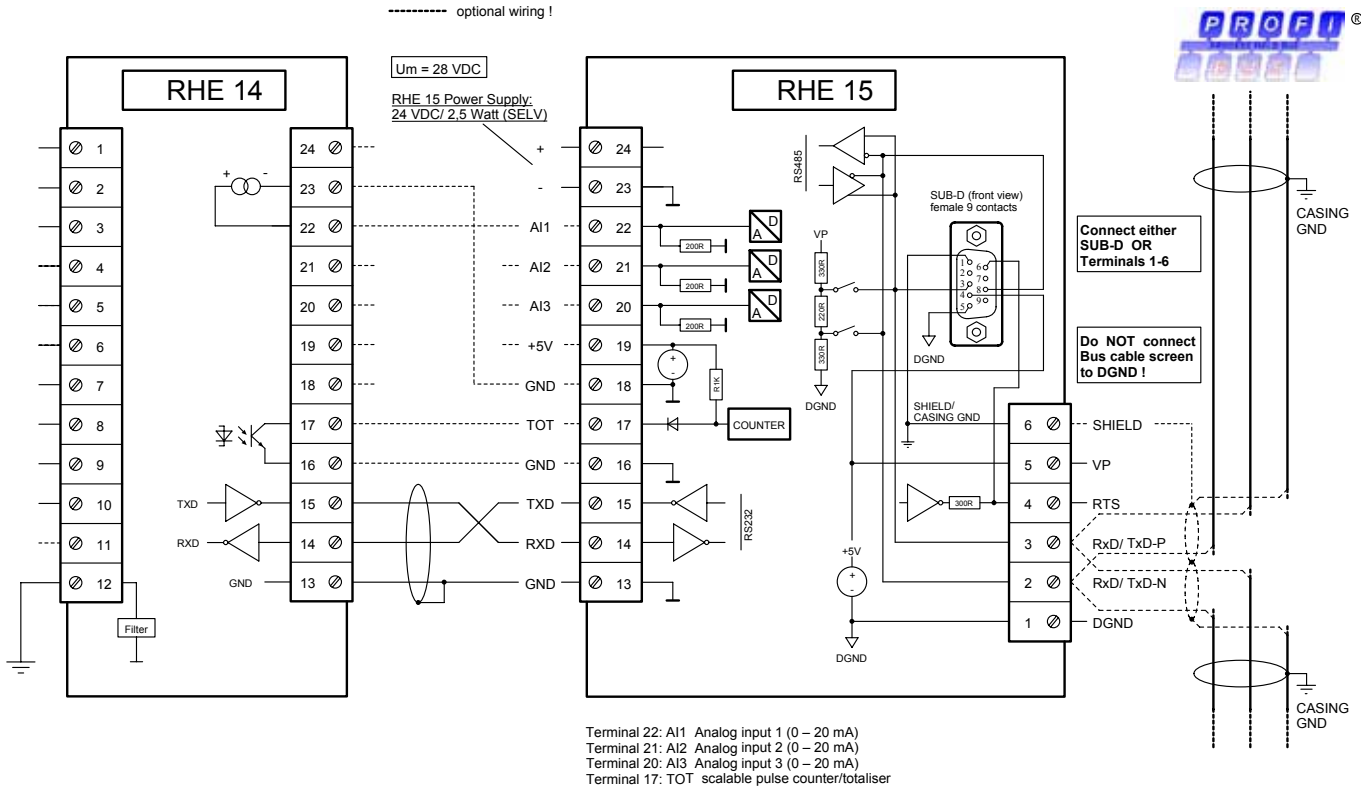
EZB 14 Specifications	
Housing	PC/PPO (plastic) for DIN rail mounting
Enclosure Rating	IP 20
Ambient Temperature	-20°C to +55°C (-4°F to +131°F)
Dimensions	105 x 86 x 58 mm (4.13 x 3.39 x 2.28 in)
Cable connection	terminal block
ATEX approval	Ex II (1) G [Ex ia] IIB / IIC (RHE 14 and EZB 14 in safe area)
IEC approval (optional)	[zone 0] [Ex ia] IIB / IIC (RHE 14 and EZB 14 in safe area)
Weight	approx. 0.2 kg (0.44 lb)

Order Code

RHE 14 EZB



RHE 15 Wiring Diagram



EZB 14 Wiring Diagram

